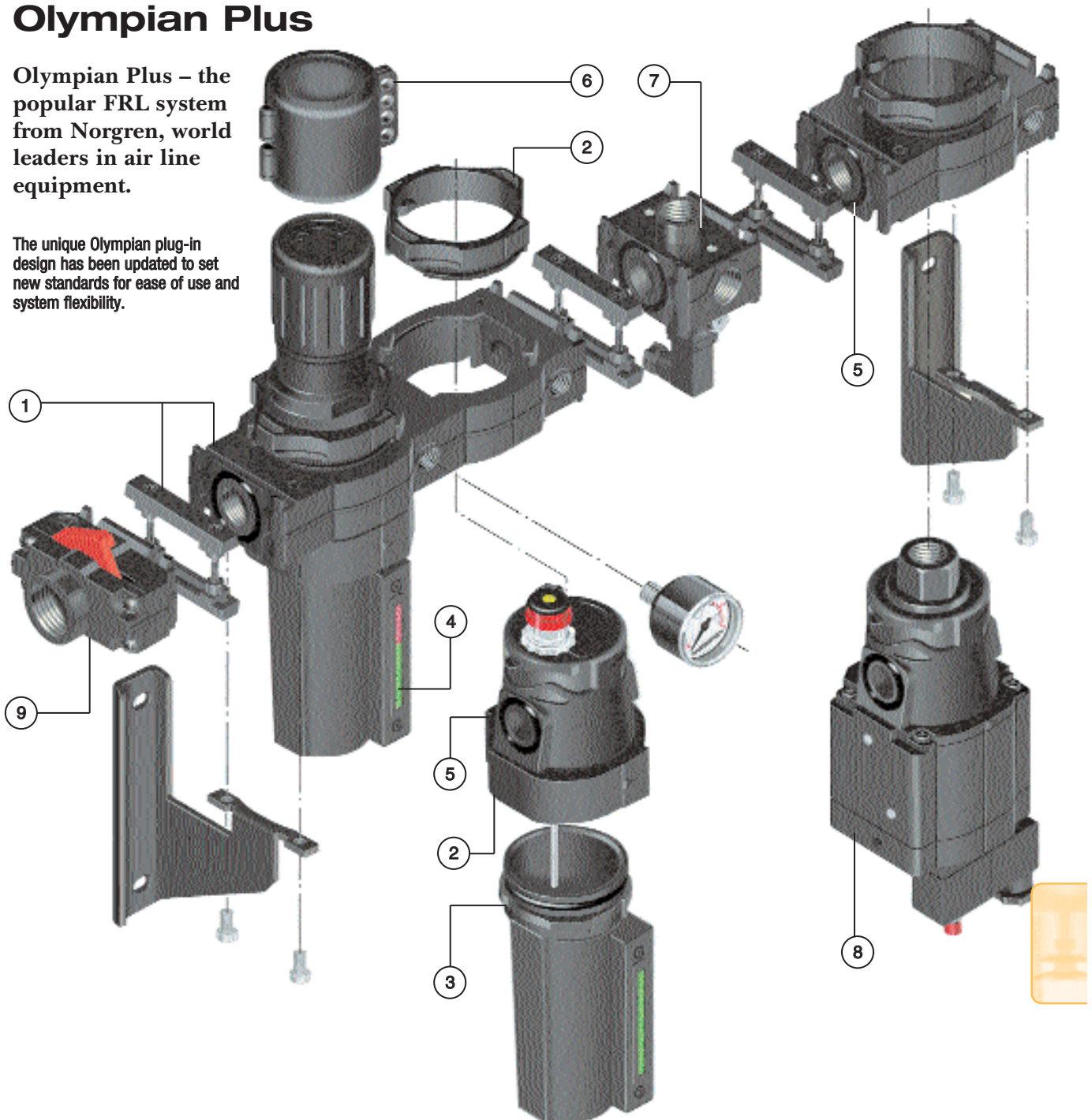




Olympian Plus

Olympian Plus – the popular FRL system from Norgren, world leaders in air line equipment.

The unique Olympian plug-in design has been updated to set new standards for ease of use and system flexibility.



1. QUICK CONNECT YOKE SYSTEM

Simple, speedy assembly of accessories and combination units.

2. PLUG IN UNITS

Rapid installation and maintenance. Quarter turn clamp ring graphite impregnated for easy operation. Detent action prevents removal under pressure.

3. BAYONET BOWLS

Easy removal for routine maintenance. Detent action prevents removal under pressure.

4. UNIQUE PRISMATIC SIGHT GLASS

High visibility of liquid level. Colour change service indication on filters and filter regulators.

5. CAPTIVE 'O' RINGS

Easy to assemble with no loose parts.

6. TAMPER RESISTANT COVER

Simple accessory to prevent unauthorised adjustment of regulated pressure.

7. PORTING BLOCK MOUNTED PRESSURE SWITCH

Adjustable pressure switch for feedback to monitoring systems.

8. SOFT START/DUMP VALVE

Provides controlled increase in pressure on system start-up. High exhaust flow capacity.

9. 3/2 SHUT OFF VALVE

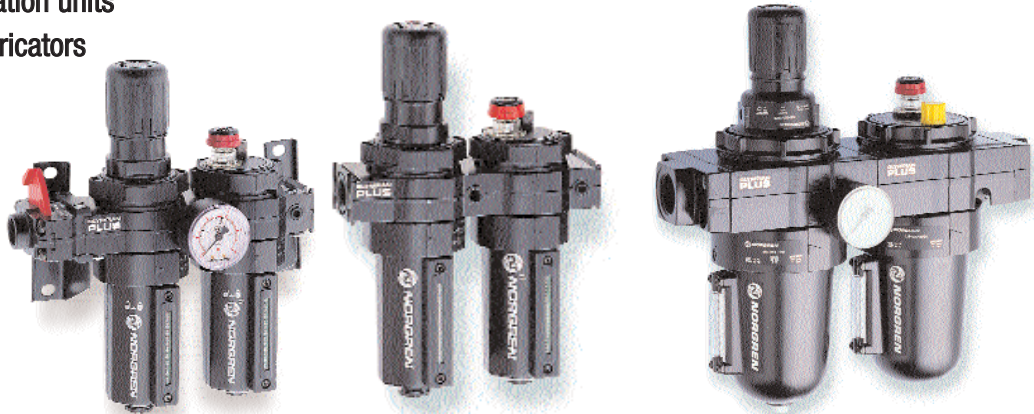
Slide valve with lockable blade. Threaded exhaust port.

Olympian Plus plug-in system

Boxed sets and combination units

Filter/regulators and lubricators

G $\frac{1}{4}$ to G $\frac{1}{2}$



Complete air processing units pre-assembled, ready to install

Boxed sets include:
filter/regulator and micro-fog lubricator complete with exhausting shut-off valve, pressure gauge and mounting brackets

Filter-regulator and micro-fog lubricator combinations

Filter and micro-fog lubricator combinations

Technical data

Medium:

Compressed air only

Maximum inlet pressure:
17 bar

Ambient temperature:
-20°C to +80°C

Consult our Technical Service for use below +2°C

		Port size	Element (μ m)	Bowls	Pressure range (bar)*	kg	Operation	Model Auto	Manual
Boxed sets		G $\frac{1}{2}$	40	Metal	0,3 ... 10	4,15	Relieving	BL64-401	BL64-421
		G1	40	Metal	0,4 ... 8	5,99	Relieving	BL68-801	BL68-821
Filter/regulator & lubricator combinations		G $\frac{1}{4}$	40	Metal	0,3 ... 10	3,19	Relieving	BL64-208	BL64-228
		G $\frac{3}{8}$	40	Metal	0,3 ... 10	3,19	Relieving	BL64-308	BL64-328
		G $\frac{1}{2}$	40	Metal	0,3 ... 10	2,73	Relieving	BL64-408	BL64-428
		G $\frac{3}{4}$	40	Metal	0,3 ... 10	3,56	Relieving	BL64-608	BL64-628
		G $\frac{3}{4}$	40	Metal	0,4 ... 8	4,94	Relieving	BL68-608	BL68-628
		G1	40	Metal	0,4 ... 8	5,26	Relieving	BL68-808	BL68-828
		G $\frac{1}{4}$	40	Metal	0,4 ... 8	6,50	Relieving	BL68-A08	BL68-A28
Filter & lubricator combination		G $\frac{1}{2}$	40	Metal	0,4 ... 8	6,05	Relieving	BL68-B08	BL68-B28
		G $\frac{1}{4}$	40	Metal		2,50		FL64-208	FL64-228
		G $\frac{3}{8}$	40	Metal		2,52		FL64-308	FL64-328
		G $\frac{1}{2}$	40	Metal		2,43		FL64-408	FL64-428
		G $\frac{3}{4}$	40	Metal		2,91		FL64-608	FL64-628
		G $\frac{3}{4}$	40	Metal		3,90		FL68-608	FL68-628
		G1	40	Metal		3,90		FL68-808	FL68-828
G $\frac{1}{4}$	40	Metal		4,05		FL68-A08	FL68-A28		
G $\frac{1}{2}$	40	Metal		4,05		FL68-B08	FL68-B28		

* Can be adjusted to zero bar outlet pressure and generally to pressures in excess of those specified. For service kit numbers refer to individual units.

Materials

BL64 & FL64 models:

Body and yoke: zinc alloy

Bowl: aluminium

Element: sintered plastic

Elastomers: synthetic rubber

T8H, M8H & M8C models:

Body & bowl: aluminium

Filter element: sintered bronze or plastic

Elastomers: synthetic rubber

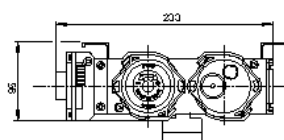
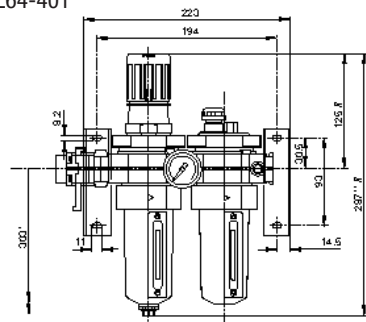
Alternative models

Manual drains and oil-fog lubricators also available.

Contact our Technical Service. For combinations not listed quote individual part numbers for basic units and yokes, see Olympian Accessories page 426

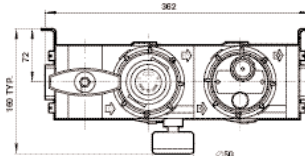
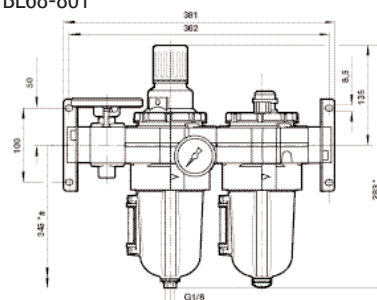
Boxed sets

BL64-401



* Minimum clearance required to remove bowl.
** Automatic
Reduces by 4 mm with knob in locked position.
Weight: 3,58 kgm

BL68-801



mm clearance ed to remove

uces by 4 mm :nob in locked n.
it: 6,69 kg

See also our Olympian Plus duplex system specifically designed for use in process plant and on main machinery installations and other equipment in continuous use where not even the shortest interruption of services is permissible – see page 427

