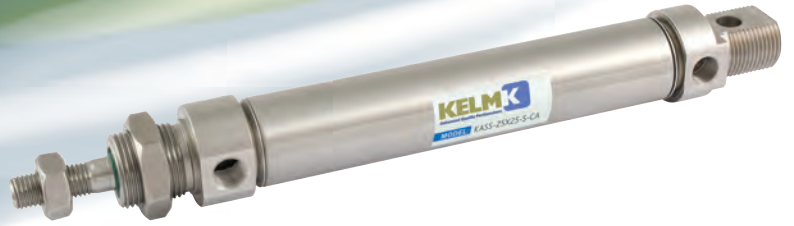


# ISO 6432 STAINLESS STEEL MINI CYLINDERS



## Specification

<b>Bore size mm</b>	16	20	25
<b>Acting Type</b>	Double Acting, Magnetic, Buffer Cushioning		
<b>Fluid</b>	Air (to be filtered by 40um filter element)		
<b>Operating Pressure</b>	0.2Mpa - 1.0 Mpa (28 - 145psi)		
<b>Temperature</b>	0°C to +80°C		
<b>Port</b>	M5	G1/8"	

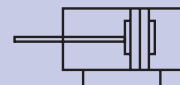
## Thrust Data

Bore mm	Rod mm	Type	Pressure area mm <sup>2</sup>	Unit: Newton (N)										
				Operating Pressure Mpa										
				0.1	0.2	0.3	0.4	0.5	0.6	0.7	0.8	0.9	1.0	
16	6	Double Acting	Push Side	200	18	36	54	72	90	108	126	144	162	180
			Pull Side	173	16	32	48	64	80	96	112	128	144	160
20	8	Double Acting	Push Side	314	28	56	84	112	140	168	196	224	252	280
			Pull Side	264	24	48	72	96	120	144	168	192	216	240
25	10	Double Acting	Push Side	490	44	88	132	176	220	264	308	352	396	440
			Pull Side	412	36	72	108	144	180	216	252	288	324	360

## Ordering Code

K	A	S	—	1	6	—	X	—	1	0	—	S	—	C	A
Model		Bore Size			Stroke		Magnetic		Back Cover						
KASS : Mini Cylinder Stainless Steel (Double Acting)		16 : 16mm 20 : 20mm 25 : 25mm			10 : 10mm    125 : 125mm 25 : 25mm    160 : 160mm 50 : 50mm    200 : 200mm 80 : 80mm    250 : 250mm 100 : 100mm    320 : 320mm				CA : Pivot Type						

## Symbol



## Available Strokes

Bore size mm	Standard stroke mm
16	10 25 50 80 100 125 160 200 250 320
20	10 25 50 80 100 125 160 200 250 320
25	10 25 50 80 100 125 160 200 250 320

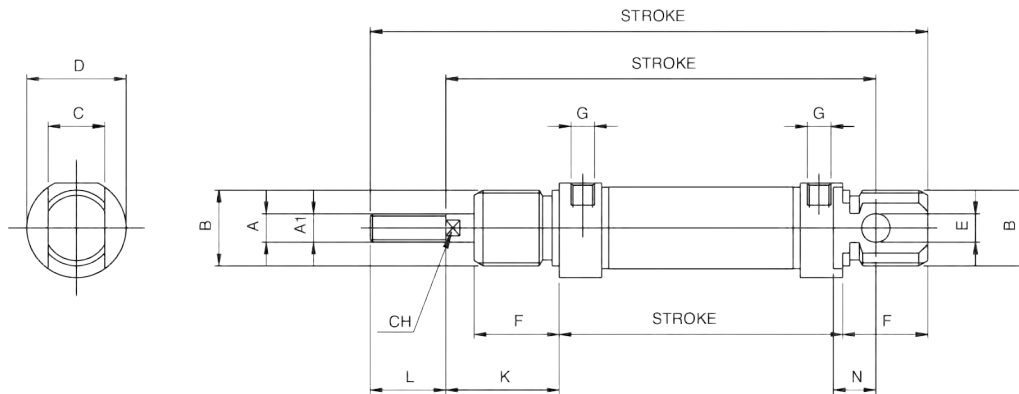
## Product Features

- 1 In accordance with ISO6432 standard.
- 2 Front and rear cap cushioning.
- 3 Crimped end cap design.
- 4 Cylinder accessories are available to cover your installation choice.

# ISO 6432 STAINLESS STEEL MINI CYLINDERS

## Dimensions

Item Bore	A	A1	B	C	D	E	F	G	K	L	M	N	P	E	CH
16	M6	6	M16 x 1.5	12	19	6	18	M5	22	16	109	9	53	82	5
20	M8	8	M22 x 1.5	16	27	8	20	G1/8"	24	20	131	12	67	95	7
25	M10 x 1.25	10	M22 x 1.5	16	30	8	22	G1/8"	28	22	140	12	68	104	9



## Inner Structure

- 1 Steel AISI 304 Nut
- 2 Steel AISI 316 Piston Rod
- 3 Polyurethane Rod Seal
- 4 Steel AISI 304 Front Cover
- 5 Steel AISI 304 Nut
- 6 Sintered Bronze Bearing
- 7 NBR O-ring Seals
- 8 Neoprene Bumper
- 9 Brass Piston
- 10 Polyurethane Piston Seal
- 11 Plastroferrite Magnet
- 12 Steel AISI 304 Mini Cylinder Shape Body
- 13 Steel AISI 304 Back Cover

